



FLOW RECEPTION COUNTER

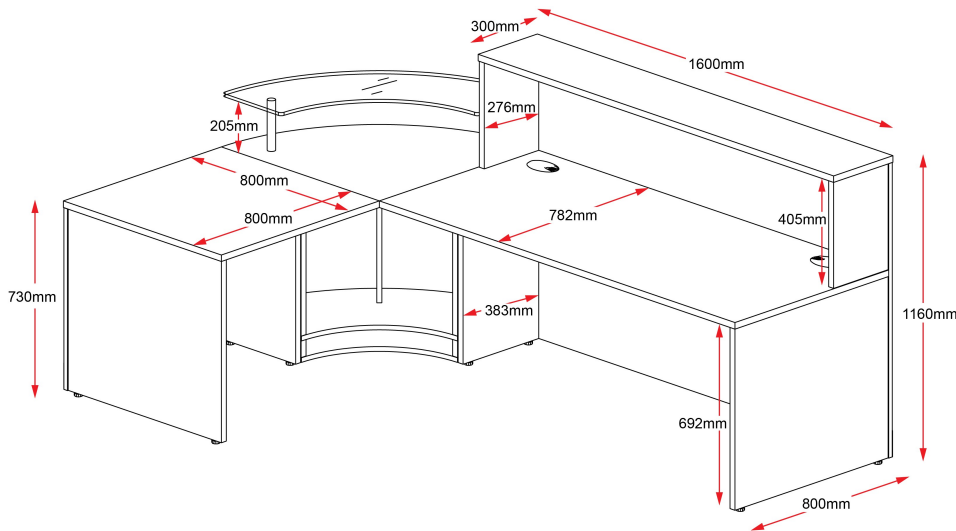
The Rapidline Flow suits large reception areas and is sure to make an impact. Made up of 3 quality pieces including a full height unit at the front, glass top corner unit, and return fitting to either side.

Available in a traditional finish with beech melamine and silver kick plate.

Backed by a 5 year warranty.

SKU: NCT1160

Desk Height 730



PRODUCT DESCRIPTION

Flow Reception Counter - Beech
2400mm x 1600mm x 1160mm H
Curved Tempered Glass Visitor Hob Silver
Kick Plate Reversible Return Included
E0 Rated Melamine Board
5 Year Warranty